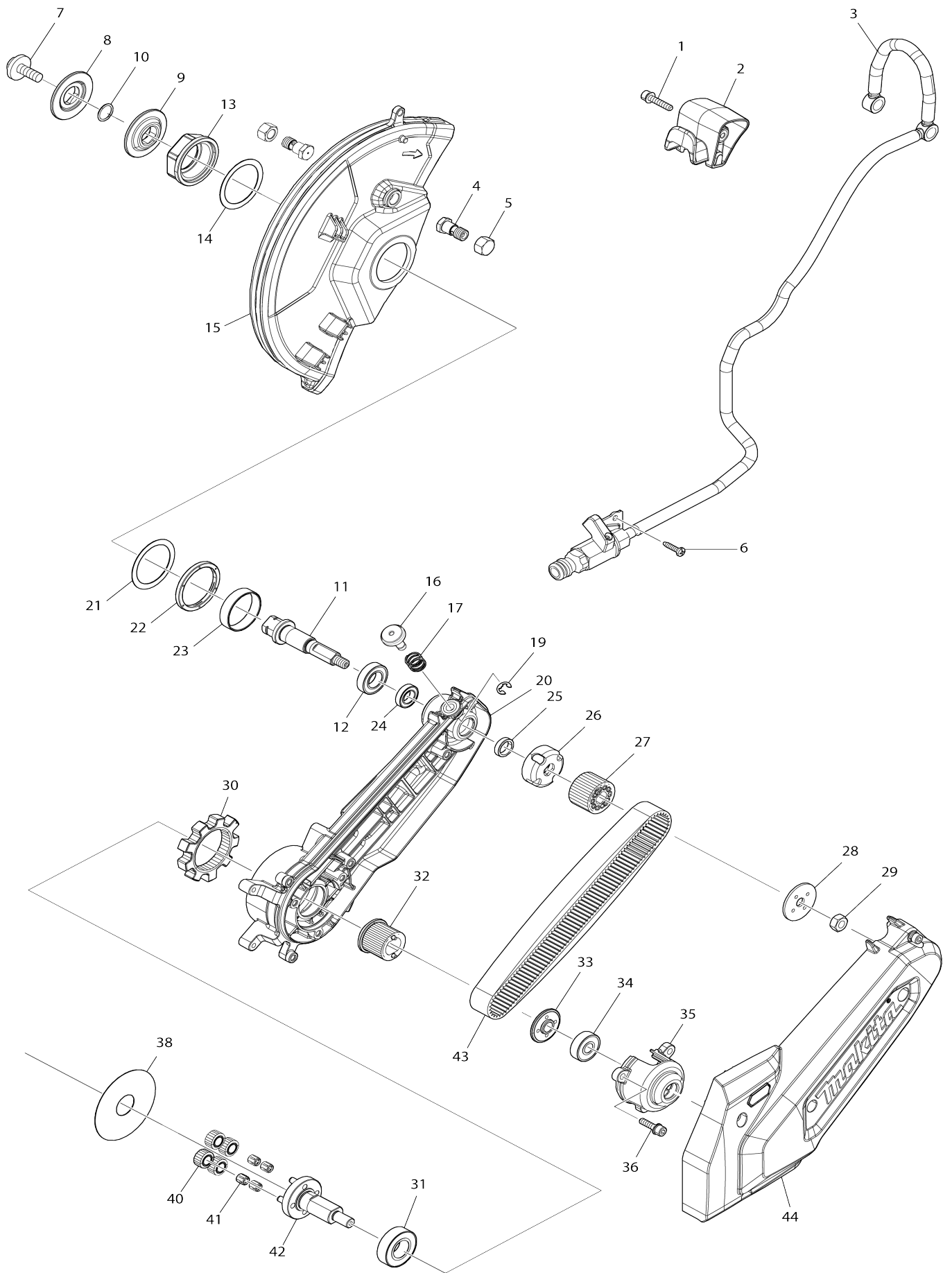
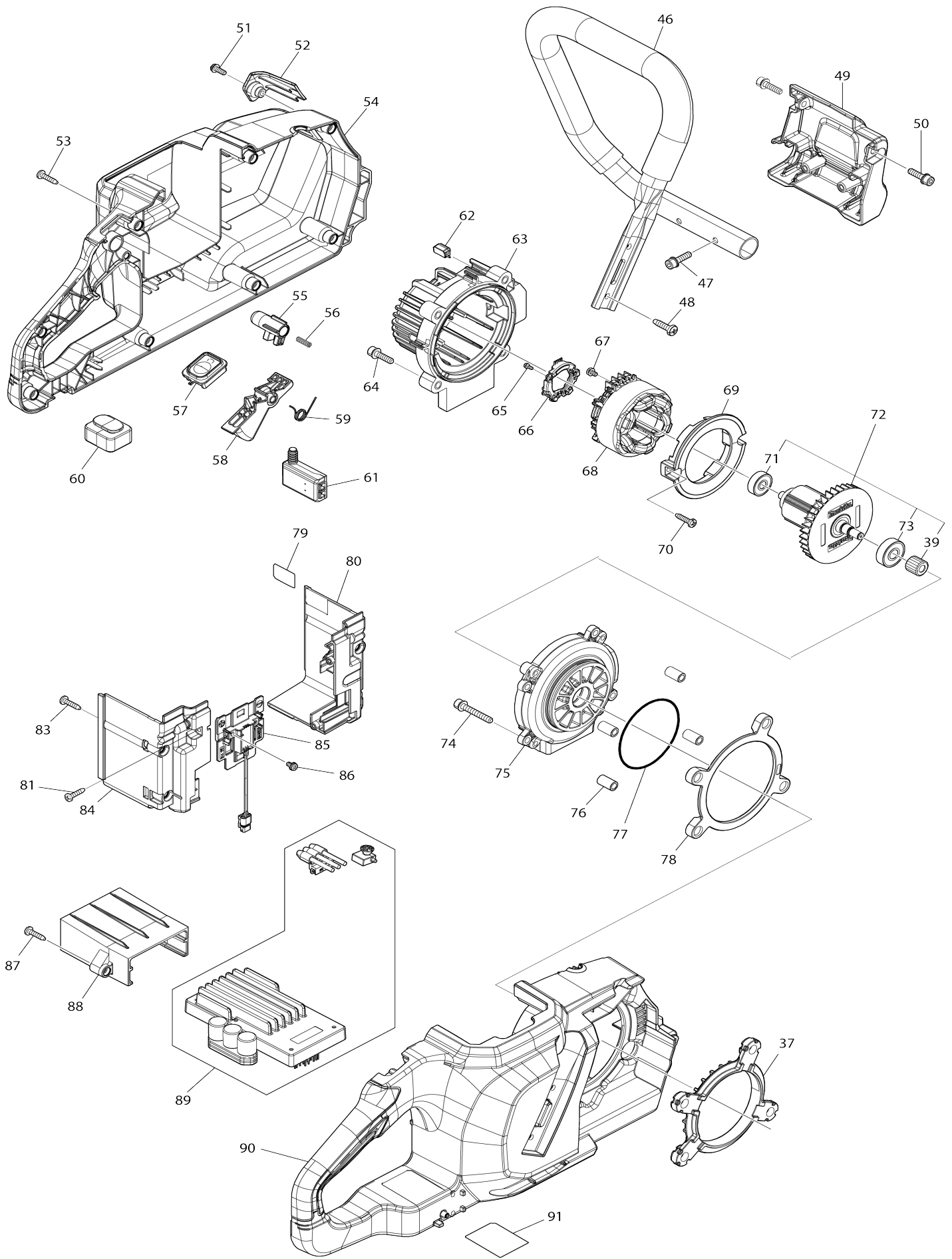


Model No.CE003G 230MM CORDLESS POWER CUTTER



Model No.CE003G 230MM CORDLESS POWER CUTTER



Model No.CE003G 230MM CORDLESS POWER CUTTER

Item No.	Parts No.	Description	Interchangability	Q'ty	New/Old	Note1	Note2
001	922243-3	Hex. socket head bolt M5X25 WR		1			
002	413Y26-7	Wheel cover grip		1			
003	122G28-1	Hose assembly		1			
004	265C26-9	Hex. head bolt M10X21		2			
005	252306-4	Hex. nut M10		2			
006	266326-2	Binding head tapping screw 4X18		2			
007	266690-1	Hex. head bolt M8X25		1			
008	224604-6	Outer flange 46		1			
009	224605-4	Inner flange 46		1			
010	213162-7	O-ring 14		1			
011	327E57-9	Spindle		1			
012	211244-9	Ball bearing 6902LLU		1			
013	312F61-7	Bearing retainer		1			
014	261178-6	Polyacetal washer 38		1			
015	312F01-5	Wheel cover 230		1			
016	137186-8	Pin cap assembly		1			
017	233089-5	Compression spring 12		1			
019	961012-7	Stop ring (EXT) E-6		1			
020	312E99-6	Cutting device		1			
021	261178-6	Polyacetal washer 38		1			
022	422B46-2	Rubber ring 39		1			
023	257A32-6	Ring 35		1			
024	210245-4	Ball bearing 6801LLU		1			
025	257A31-8	Ring 12		1			
026	347C25-4	Pulley bottom plate		1			
027	222212-7	Pulley 21-30.7		1			
028	347C26-2	Pulley plate 36		1			
029	931402-8	Hex. nut M8		1			
030	227B45-7	Internal gear 55		1			
031	210301-0	Ball bearing 6003DDW		1			
032	222213-5	Pulley 21-27.5		1			
033	327D38-7	Pulley plate 32		1			
034	211092-6	Ball bearing 629DDW		1			
035	312F02-3	Pulley cover		1			
036	922233-6	Hex. socket head bolt M5X20 WR		3			
037	422B44-6	Damper A		1			
038	253599-6	Flat washer 20		1			
039	227B43-1	Spur gear 17		1			
040	227B44-9	Spur gear 18		4			
041	212265-4	Needle cage 508		4			
042	141V23-2	Carrier complete		1			
043	225111-2	Synchro belt 20-500		1			
044	137110-1	Belt cover assembly		1			
C10	265B09-3	Hex. socket head bolt M5X30 WR		5			
046	327D37-9	Front grip 26		1			
047	922233-6	Hex. socket head bolt M5X20 WR		2			
048	266420-0	Binding head tapping screw 5X2		2			

		0				
049	312F04-9	Stand support		1		
050	922233-6	Hex. socket head bolt M5X20 WR		2		
051	911118-1	Pan head screw M4X12 WR		1		
052	413Y18-6	Lens		1		
053	266326-2	Binding head tapping screw 4X1 8		8		
054	1830N5-4	Housing set		1		
054		INC. 90				
055	413Y21-7	Lock off button		1		
056	232444-8	Compression spring 4		1		
057	141V21-6	Switch circuit complete		1		
058	413Y20-9	Switch lever		1		
059	232854-9	Torsion spring 10		1		
060	422823-0	Foot		1		
061	632V44-0	Switch unit		1		
062	620N97-3	LED circuit		1		
063	413Y19-4	Motor housing		1		
064	922233-6	Hex. socket head bolt M5X20 WR		4		
065	652119-7	Pan head screw M2X6		3		
066	620P38-1	Sensor unit		1		
067	652069-6	Flat head screw M3X6		3		
068	629C70-4	Stator		1		
069	413Y22-5	Baffle plate		1		
070	266326-2	Binding head tapping screw 4X1 8		2		
071	210023-2	Ball bearing 627DDW		1		
072	510601-1	Rotor assembly		1		
072		INC. 39,71,73				
073	211092-6	Ball bearing 629DDW		1		
074	922258-0	Hex. socket head bolt M5X35 WR		4		
075	312F00-7	Bearing box		1		
076	257A33-4	Sleeve 6		4		
077	213720-9	O-ring 67		1		
078	422B45-4	Damper B		1		
079	8146M6-7	Serial No. label CE003G		1		
080	1830M9-9	Terminal box set		1		
C10	263005-3	Rubber pin 6		2		
080		INC. 84				
081	266326-2	Binding head tapping screw 4X1 8		2		
083	266326-2	Binding head tapping screw 4X1 8		4		
084	1830M9-9	Terminal box set		1		
C10	263005-3	Rubber pin 6		2		
084		INC. 80				
085	632V23-8	Terminal unit		1		
086	652031-1	Pan head screw M3X6		2		
087	266326-2	Binding head tapping screw 4X1 8		2		
088	413Y25-9	Controller case		1		
089	620N99-9	Controller		1	*	
089-1	620N99-9	Controller	O	1		

090	1830N5-4	Housing set		1		
090		INC. 54				
091	8146M4-1	Name plate CE003G		1		
A01	122G62-1	Wrench holder assembly		1		
A02	123121-2	Coupling sleeve		1		
A03	782039-2	Box wrench 13-19		1		
A04	E-03006	ABRASIVE CUT-OFF WHEEL/ INO X		1		
F02	1915Y2-3	HOSE ASSEMBLY SET		1		

Please state Parts No. when your order.

Print Date 09/01/2025